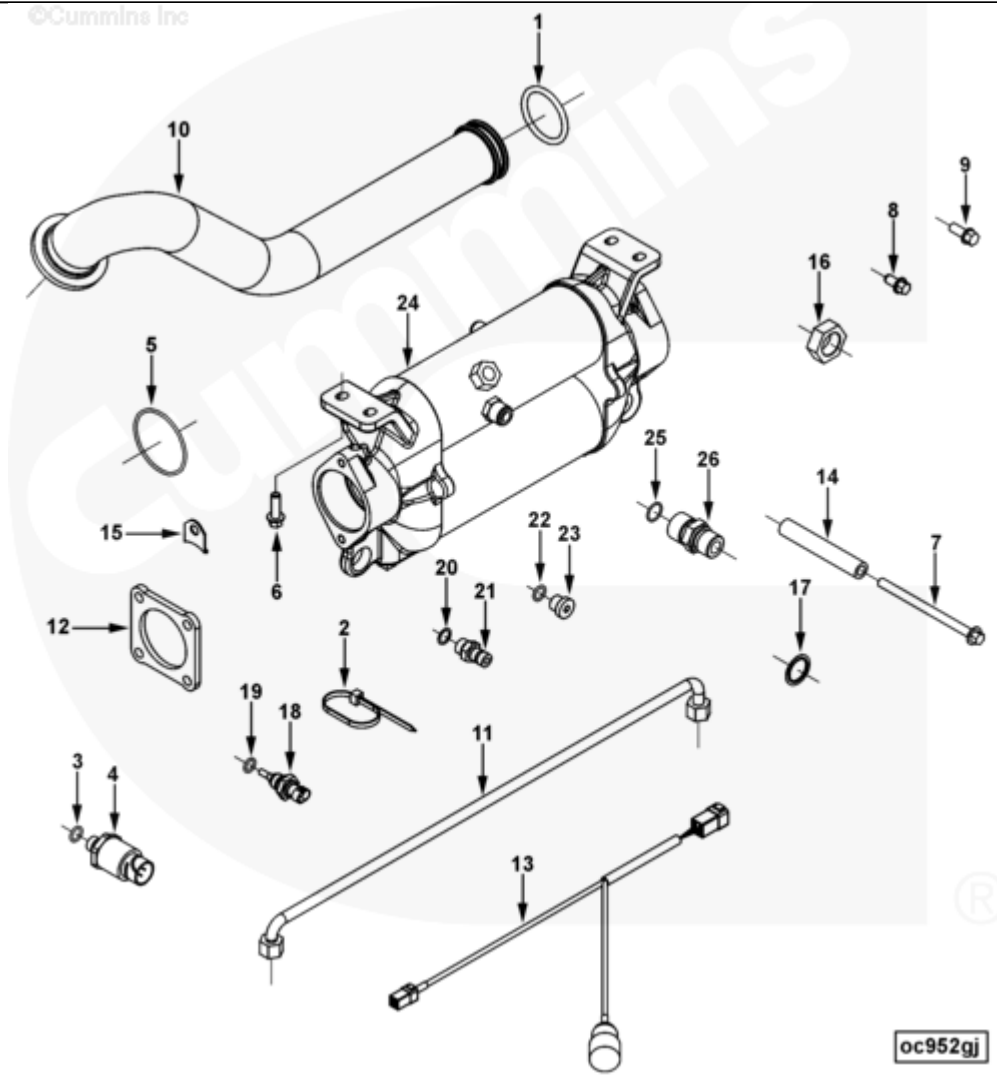




Parts Catalog - Option Detail

Electronic Parts Catalog - Option Detail				
Option	Group	Graphic	Film Card	Date
OC9083-01	16.05.4	oc952gj	Z	31-JUL-06
Engines	6C8.3, C GAS PLUS CM556, G8.3, G8.3 CM558, GTA8.3 CM558, ISC CM2150, ISC CM554, ISC CM850, ISC8.3 CM2250, ISC8.3 G CM2180 C101, ISL CM2150, ISL CM554, ISL CM850, ISL G CM2180, ISL8.9 CM2150 L110, ISL8.9 CM2880 L112, ISL9 CM2150 SN, ISL9 CM2250, ISL9 CM2350 L101, ISL9 CM2350 L111, ISLE4 CM850, L GAS PLUS CM556, L8.9, L8.9 L121, L8.9G CMOH2.0 L125B, L9 CM2350 L116B, L9 CM2350 L119B, L9 CM2350 L120C, L9 CM2350 L123B, L9.3 L105, L9.5 L117, L9N CM2380 L124B, QSC8.3 CM2250, QSC8.3 CM2880 C102, QSC8.3 CM554, QSC8.3 CM850(CM2850), QSL9 CM2250, QSL9 CM2250 L115, QSL9 CM2350 L102, QSL9 CM2350 L107, QSL9 CM2350 L118, QSL9 CM2350 L122, QSL9 CM554, QSL9 CM850(CM2850), QSL9 G CM558, QSL9 M CM2250 L106, QSL9.3 CM2880 L113			



SMALL | MEDIUM | LARGE

Cart	Ref No	Part Number	Part Description	Required	Remarks
------	--------	-------------	------------------	----------	---------

[View My Cart](#)

		OC9083-01	Marine Gear Oil Cooler		MR - COOLER, MARINE GEAR OIL... (More)
					FOr Use With Sea Water Cooled
					Engines
					Sea Water Inlet/Outlet
					(mm): 50.8 (2 in.)
					Sea Water Flow (GPM): 75
					Heat Rejection Capability
					(kw): 11
					Unique Characteristics:
					Contains a Combination
					Marine Gear Oil and Fuel Oil
					Cooler
					Includes Pressure and
					Temperature Sensor for Marine
					Gear Oil Monitoring
					Oil Cooler Inlet/Outlet
					Connection: M22 x 1.5 O-Ring
					Port Per ISO 9974-1
<input type="checkbox"/>	1	3028291	O-Ring Seal	1	
<input type="checkbox"/>	2	3062329	Wire Tie Clamp	2	
<input type="checkbox"/>		3408570	Pressure Sensor	1	Marine Exhaust Gas Temp.
<input type="checkbox"/>	3	3330202	O-Ring Seal	1	
	4	3408571	Pressure Sensor	1	
<input type="checkbox"/>	5	3866633	O-Ring Seal	1	
<input type="checkbox"/>	6	3900631	Hexagon Flange Head Cap Screw	4	M8 X 1.25 X 25.
<input type="checkbox"/>	7	3903118	Hexagon Flange Head Cap Screw	1	M8 x 1.25 x 120
<input type="checkbox"/>	8	3924962	Hexagon Flange Head Cap Screw	2	M8 x 1.25 x 16
	9	3926846	Hexagon Flange Head Cap	4	M8 X 1.25 X 20.

<input type="checkbox"/>			Screw		
<input type="checkbox"/>	10	3968008	Sea Water Pump Tube	1	
<input type="checkbox"/>	11	4939618	Flexible Hose	1	
<input type="checkbox"/>	12	3968146	Connection Flange	1	
<input type="checkbox"/>	13	3974592	Wiring Harness	1	
<input type="checkbox"/>	14	3976969	Mounting Spacer	1	
<input type="checkbox"/>	15	4003347	Tube Clamp	2	
<input type="checkbox"/>	16	4062629	Regular Hexagon Nut	1	
<input type="checkbox"/>	17	4078761	Sealing Washer	2	
<input type="checkbox"/>		4088750	Temperature Sensor	1	Coolant Or Oil Or Fuel.
	18	4088751	Temperature Sensor	1	
	19	4921574	O-Ring Seal	1	
<input type="checkbox"/>		4939924	Oil Cooler	1	
<input type="checkbox"/>		3042619	Coupling Nipple	1	
<input type="checkbox"/>	20	3037537	O-Ring Seal	1	
	21	3042620	Coupling Nipple	1	
<input type="checkbox"/>		3678921	Threaded Plug	1	M14 X 1.5 X 16
<input type="checkbox"/>	22	3678912	O-Ring Seal	1	M14
	23	3678922	Threaded Plug	1	M14 X 1.5 X 16
	24	4939925	Oil Cooler	1	Sold In Higher Level Assembly
<input type="checkbox"/>		4940872	Male Connector	2	
<input type="checkbox"/>	25	3328572	O-Ring Seal	1	
<input type="checkbox"/>	26	4940873	Male Connector	1	
<input type="checkbox"/>		3957921	Zinc Electrode Plug	A/R	